

## ***Technical Reference - Q&A***

1. **Q: When I try to create the SATA driver floppy diskette for my K7S8XE+ / P4S55FX+, the free DOS program seems stop with unknown reason. What should I do now?**

**A:** Please download the “K7S8XE+ / P4S55FX+ SATA driver for floppy disk” file from ASRock Web Site.

<http://www.asrock.com/support/download.asp?Model=K7S8XE%2b>

<http://www.asrock.com/support/download.asp?Model=P4S55FX%2b>

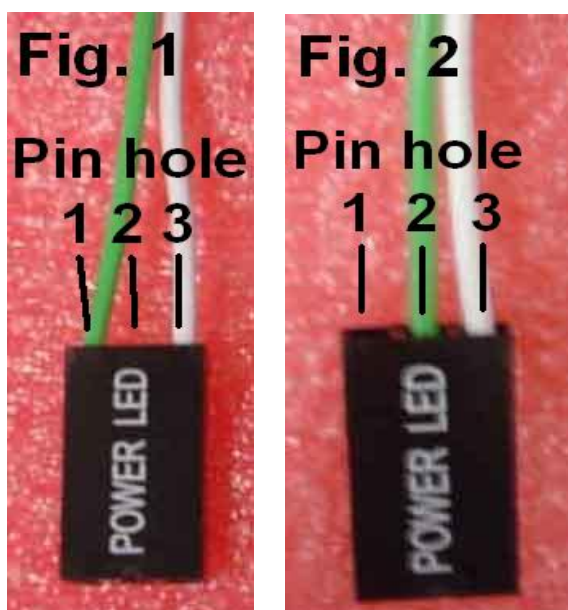
After downloading, please unzip the file and save it to the floppy diskette directly.

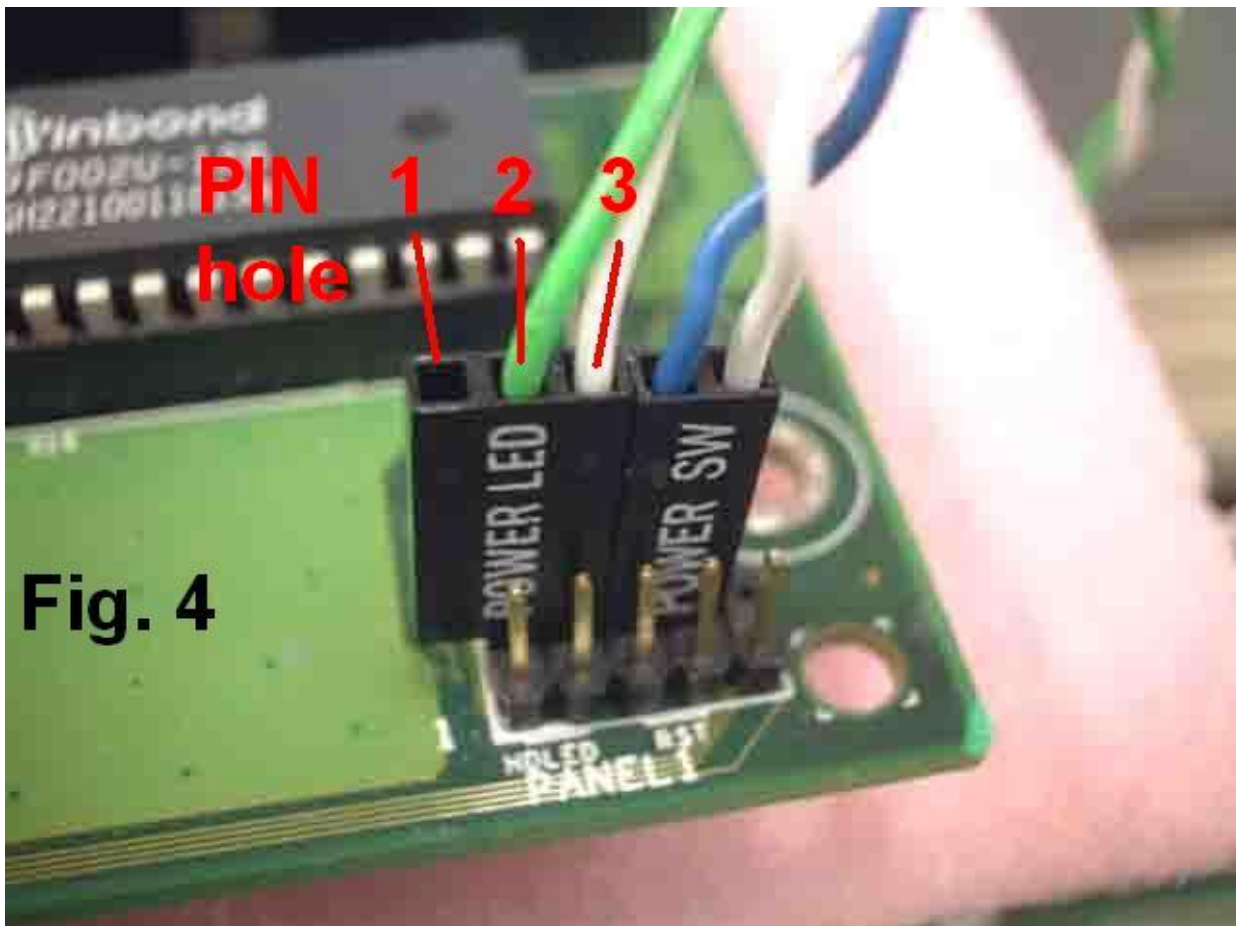
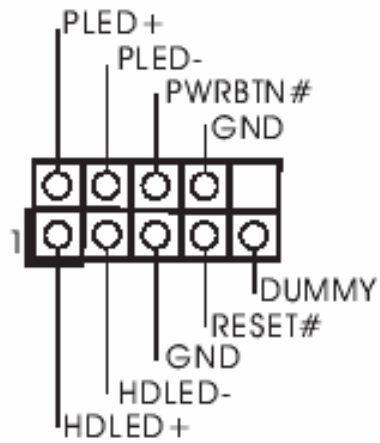
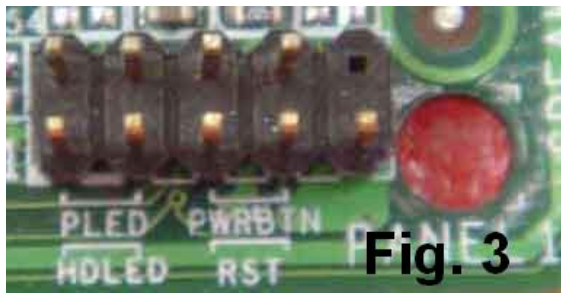
2. **Q: My motherboard is Intel or ALi south bridge based motherboard. When I connect the ATX power connector to the motherboard, the system power on right away. Why?**

**A:** This issue will happen if CMOS checksum is bad. Please enter the BIOS setup then load BIOS default setting to solve this issue.

3. **Q: When connecting the POWER SW, POWER LED, RESET SW and HDD LED cables from my chassis to the PANEL1 connector on the motherboard, I found that the pin holes of the cable does not match with the connector. What should I do?**

**A:** Please see the following pictures. If your POWER LED cable is designed with 2 cables in pin hole 1 and 3 (see Fig.1), please remove one of the cables and insert to the middle pin hole 2 (see Fig.2). Then, please refer to Fig.3 and Fig.4 for the connection.





4. Q: My motherboard is P4S61. If I connect the hard drive and non-UDMA CD-ROM on the same IDE channel, I can not install Windows XP. What can I do?

A: Please try the latest BIOS from [www.asrock.com](http://www.asrock.com) or connect the hard drive and CD-ROM to two different IDE channels.